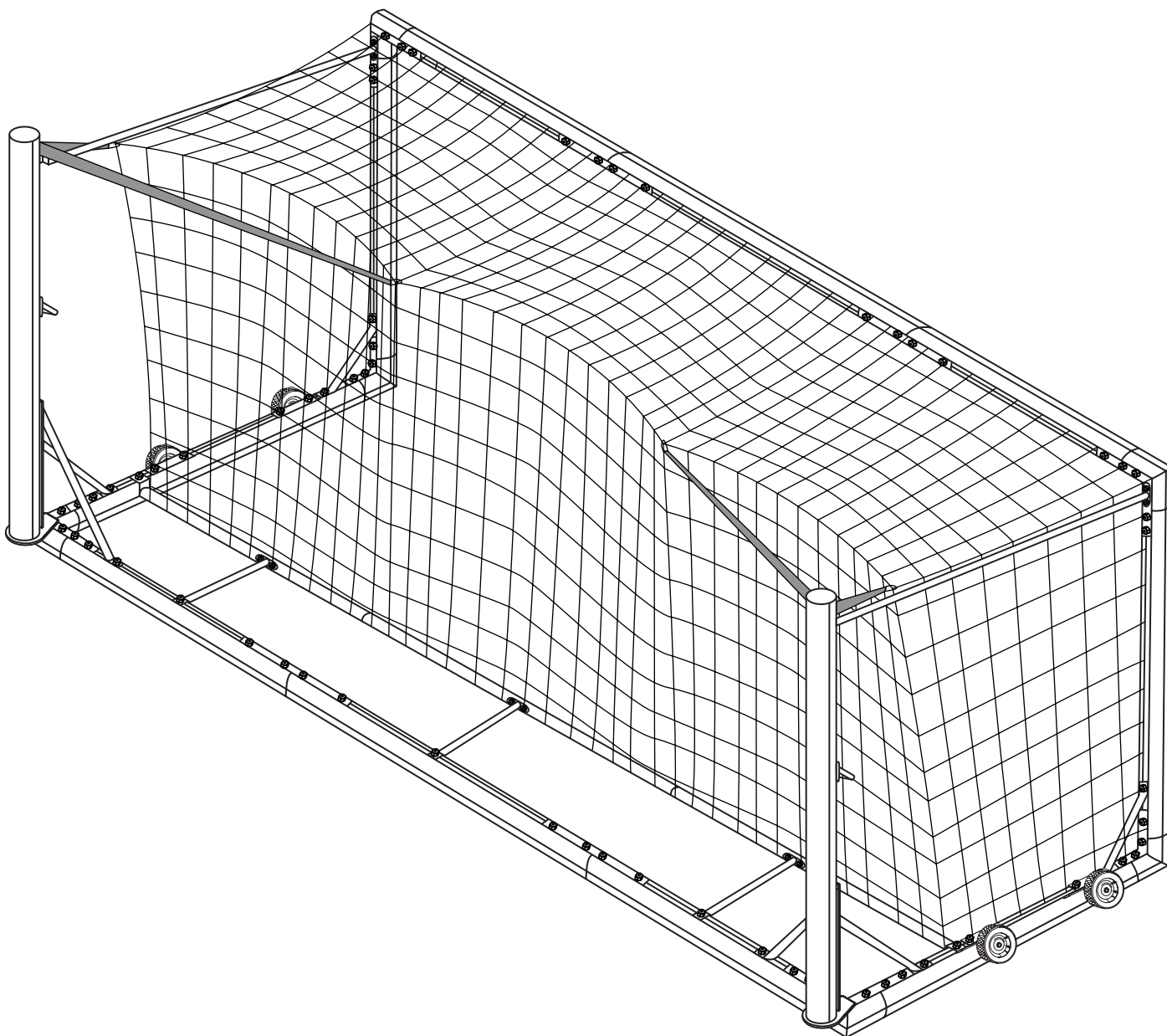


FORZA

ALU110 18.5x6.5

FREESTANDING BOX GOAL



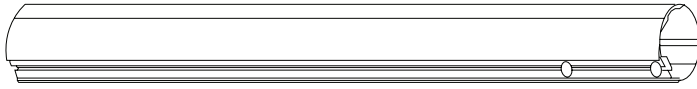
NET WORLD SPORTS»

    @NetWorldSports

www.networldsports.co.uk // +44 (0) 1691 683 807 // cs@networld-sports.co.uk

www.networldsports.com // 1-866-861-9095 // cs@networld-sports.com

PARTS LIST



37885
Crossbar/Backbar (4x)



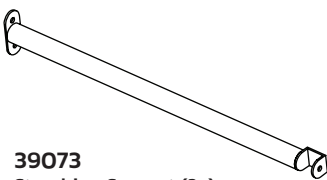
37890
Middle Section (2x)



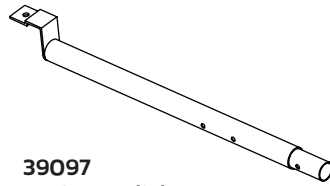
37895
Sidebar/Upright (4x)



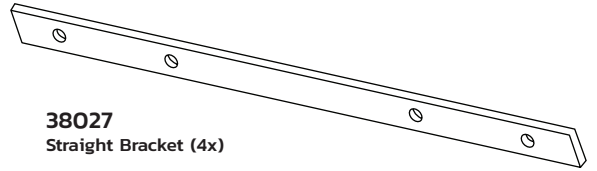
39009
Back Stanchion (2x)



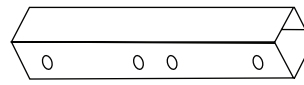
39073
Stanchion Support (2x)



39097
Net Support (2x)



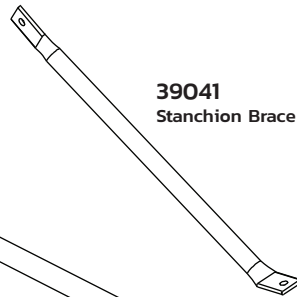
38027
Straight Bracket (4x)



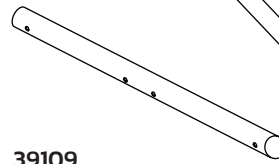
37934
Crossbar Connector Front & Back (x)



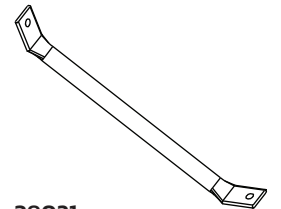
38044
Upright Support (2x)



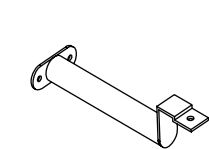
39041
Stanchion Brace (2x)



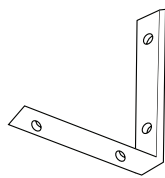
39109
Net Support Connector (1x)



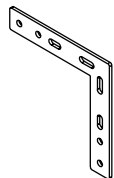
39021
Upright Stanchion Support (2x)



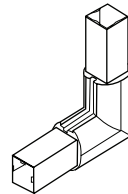
39121
Net Support Bracket (3x)



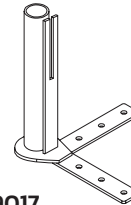
38038
L Bracket (2x)



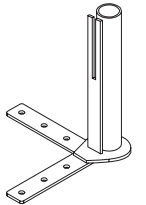
38033
Corner Bracket (2x)



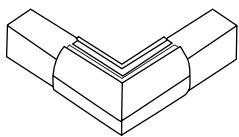
38022
Upright Corner Joint (2x)



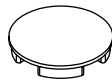
39017
Stanchion Socket L (1x)



39016
Stanchion Socket R (1x)



38016
Corner Joint (4x)



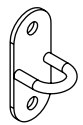
39149
Cap (2x)



38174
Push & Twist Net Clips



39137
Bracket Push & Twist Net Clips



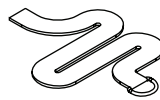
39145
Stanchion D-ring (2x)



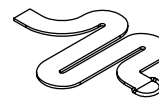
38099
M8 Spring Washers (16x)



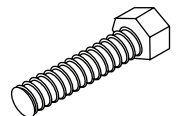
39125
Ratchet (2x)



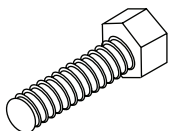
39129
Ratchet Strap 2.5m (2x)



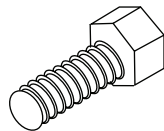
39133
Ratchet Strap 4.5m (2x)



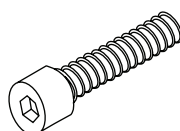
38064
M8x45 Bolt (8x)



38055
M10x25 Bolt (8x)



38049
M10x20 Bolt (63x)



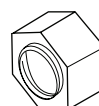
38071
M8x20 Hex Bolt (16x)



38088
M10 Washer (63x)



38094
M8 Washer (16x)

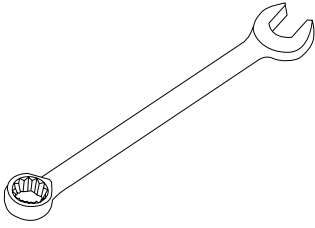


38077
M10 Lock Nut (63x)

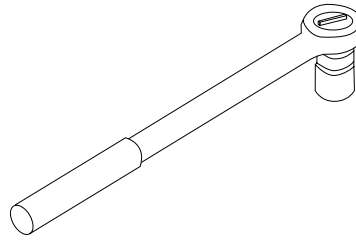


38082
M8 Lock Nut (8x)

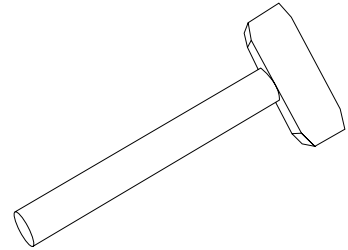
HANDY EXTRAS



Wrench
17mm
13mm



Ratchet with Sockets
17mm
13mm



Rubber Mallet



Allen Key
6mm



Step Ladder

ADD-ONS

Weights

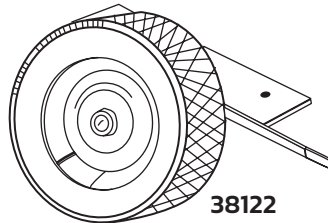


38111
Water Tank 642mm (9x)

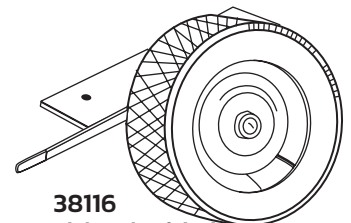


38105
Water Tank 911mm (1x)

Wheels



38122
Left Wheel (2x)



38116
Right Wheel (2x)



38077
M10 Lock Nut (8x)



38055
M10x25 Bolt (8x)



38088
M10 Washer (8x)

2 PERSON ASSEMBLY

*IMPORTANT

1. Read through the instruction thoroughly before assembling the goal.
2. Check parts for any defects prior to the assembly of the goal.
3. Ensure due diligence is carried out and a risk assessment followed prior to the assembly of the goal.
4. Safety/warning stickers must be visible at all times.
5. Goal must be anchored at all times.
6. Never climb on the net or the posts.
7. Ensure the goal is checked for any signs of damage prior to use.
8. Use extreme caution when moving the goal.
9. Remove nets when the goals are not in use.
10. 2 people required for assembly.

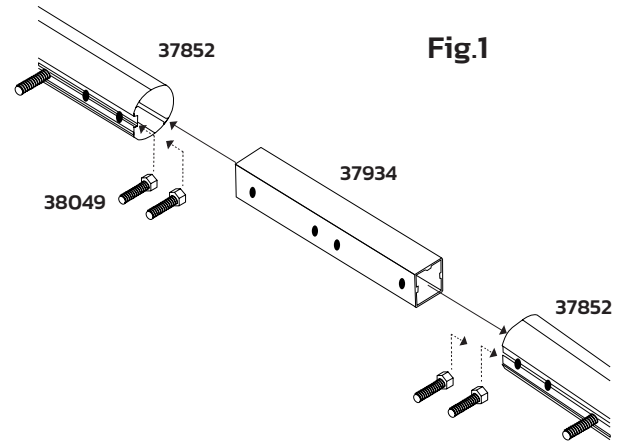
STEP 1 - Crossbar/Backbar (Fig. 1)

Layout the crossbar sections and backbar sections (37852) and connectors (37934).

Slide 2x M10x20 bolts (38049) into each outer crossbar section (37852) and locate between the 2 pre-drilled holes. Slide 2x M10x20 bolts (38049) into each end of the centre section of the crossbar (37852) and locate between the 2 pre-drilled holes.

On the backbar, slide 3x M10x20 bolts (38049) into each outer backbar section (37852) locating 2 bolts between the 2 pre-drilled holes and 1 in the centre of the section. Slide 1 x M10x20 (38049) bolt into the middle of the centre section and 2x M10x20 bolts (38049) into each end locating between the 2 pre-drilled holes.

Slot the connectors (37934) into the crossbar & backbar (37852) ensuring that the holes align.



STEP 2 - Crossbar/Backbar (Fig. 2)

Screw M8 hex bolt (38701) through crossbar into connector (37934) ensuring the M8 spring washer (38099) is in place as per diagram (Fig.2).

locate the straight bracket (38027) onto the pre-inserted M10 bolts and secure in place with M10 washers (38088) and nuts (38077).

Repeat step 2 for backbar.

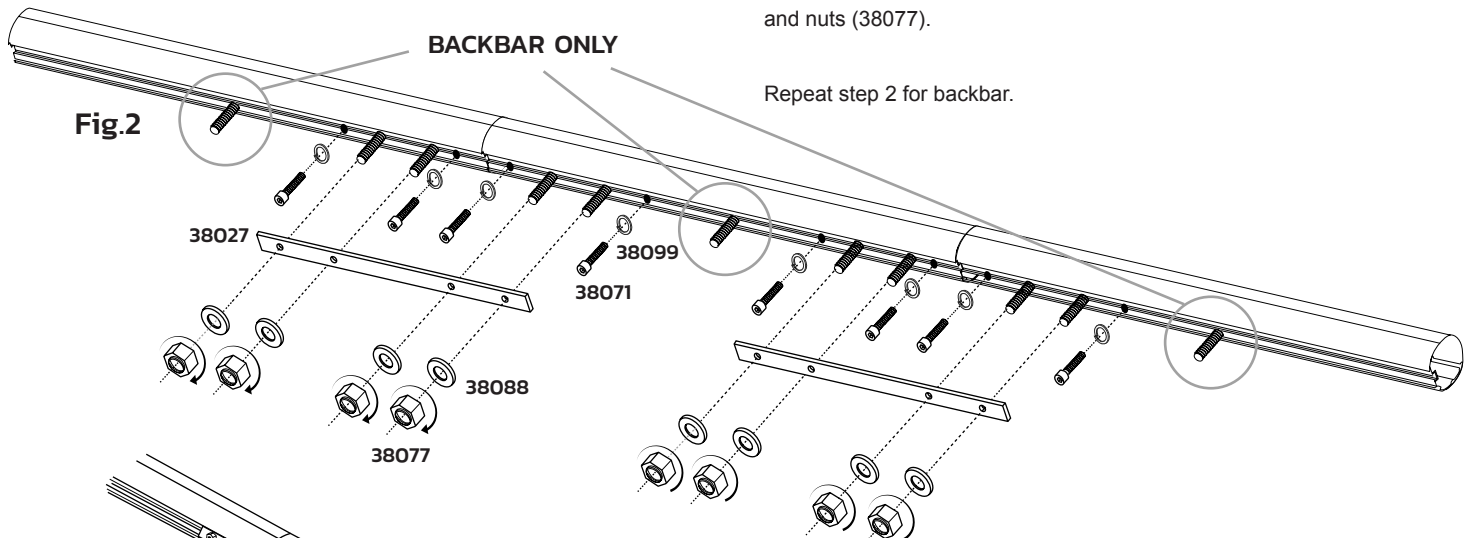


Fig.2

WEIGHTS - PLEASE NOTE!

If weights have been bought as an add-on slide into place before step 2 as per diagram (fig.17)

see add-ons for instructions

STEP 3 - Attach Crossbar to Uprights (Fig. 3)

Slide 2x M10x20 bolts (38049) into the crossbar.

Slide 1x M10x20 (38049) into corner and 2x M10x25 (38055) into upright as per fig.3.

Slide the corner joint into the crossbar and upright.

Repeat for other side.

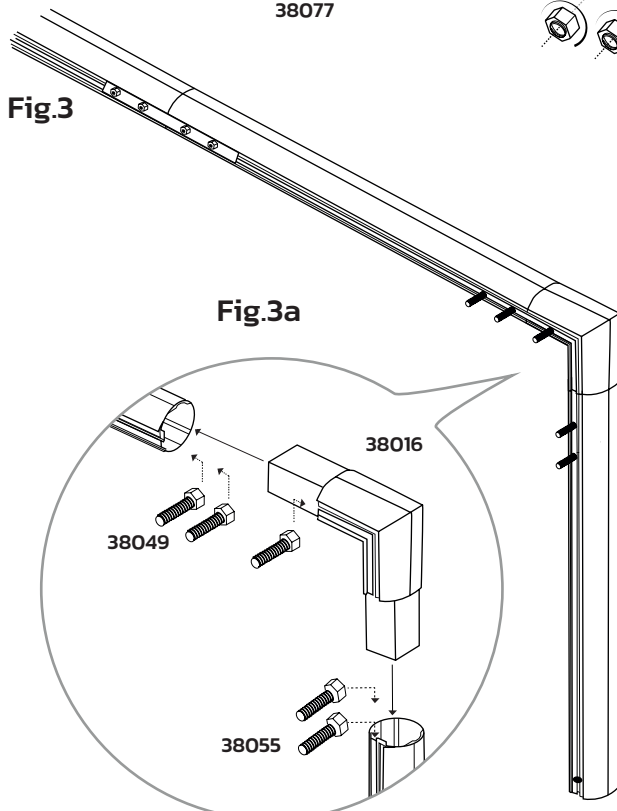


Fig.3a

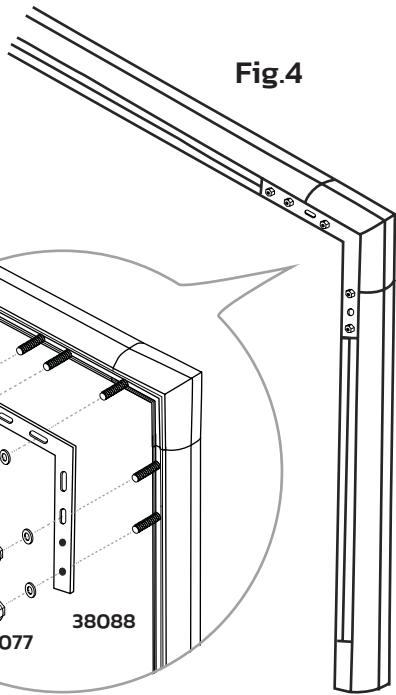


Fig.4

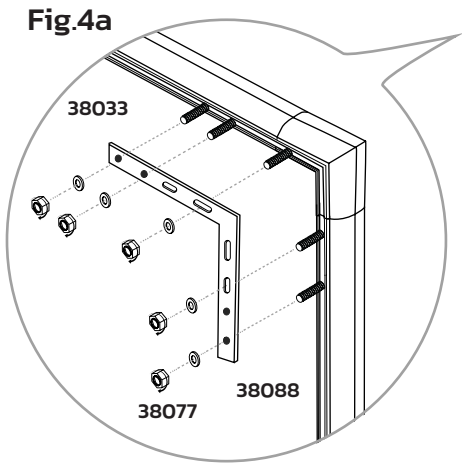
STEP 4 - Fixing Crossbar to Uprights (Fig. 4)

Locate the corner bracket (38033) over the pre-positioned bolts. Place M10 washers (38088) over M10x20 bolts as per diagram (fig.4a).

Secure in place using M10 nuts (38077).

Repeat for other side.

ATTENTION - ensure all joints are butted up to each other before tightening.



STEP 5 - Attach Backbar to Sidebar (Fig. 5)

Slide 3x M10x20 bolts (38049) into the backbar.

Slide 4x M10x20 (38049) bolts into sidebar.

See (fig.5 & fig.5a)

Slide 2x M10x20 into corner.

Slide the corner joint into backbar and sidebar.

Repeat for other side.

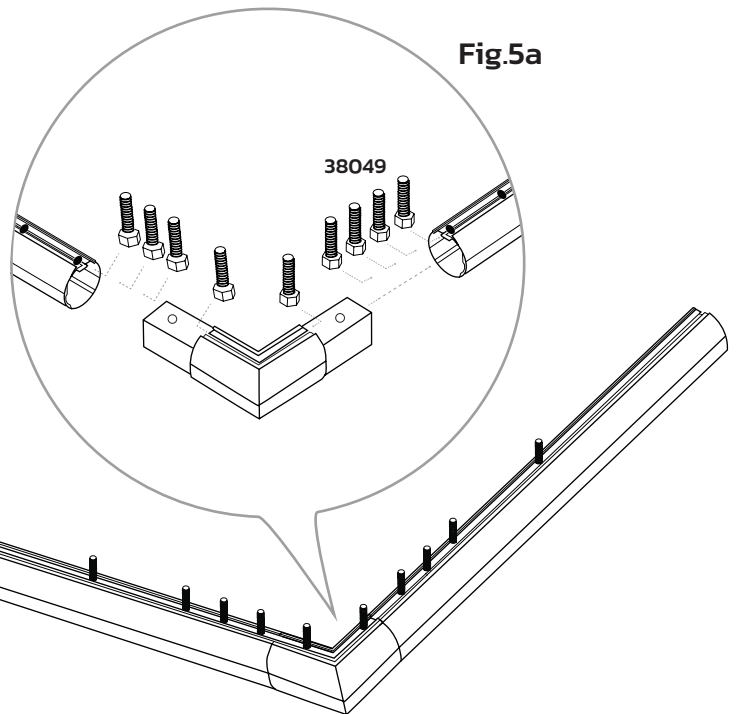


Fig.5

Fig.5a

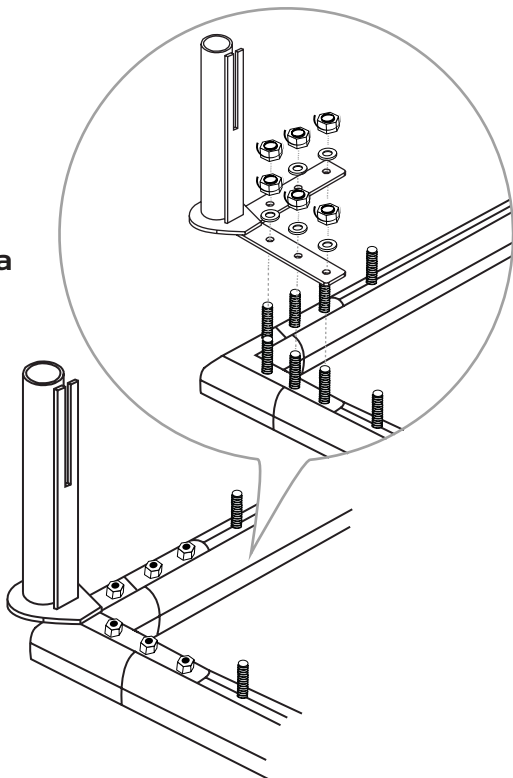


Fig.6a

Fig.6

STEP 6 - Fixing Backbar to Sidebar (Fig. 6)

Place stanchion socket (39017) over pre-positioned bolts.

Place M10 washers (38088) over stanchion socket bolts only, leaving two bolts free on the backbar and sidebar.

See (fig.6 & fig.6a)

Secure in place using M10 nuts (38077).

Repeat for other side.

ATTENTION - ensure all joints are butted up to each other before tightening.

ATTENTION, WEIGHTS – PLEASE NOTE!

If weights have been bought as an add-on slide into place before securing corner as per diagram (fig.17)

see add-ons for instructions

Fig.7

STEP 7 - Connecting uprights to base (Fig. 7)

Slide 2x M10x20 bolts (38049) into upright corner joint see diagram (Fig.7a)

Slide 2x M10x20 bolts (38049) into sidebar see diagram (Fig.7a)

Slide 2x M10x20 bolts (38049) into upright see diagram (Fig.7b)

Locate corner joint into upright and sidebar.

Fig.7a

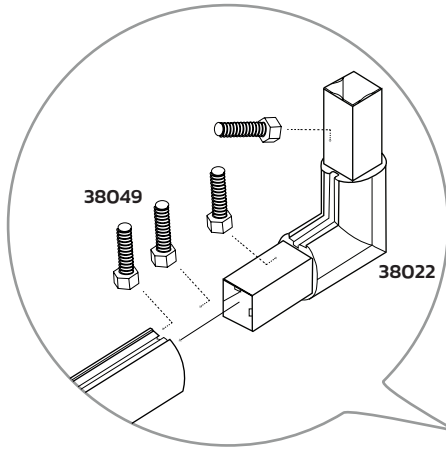
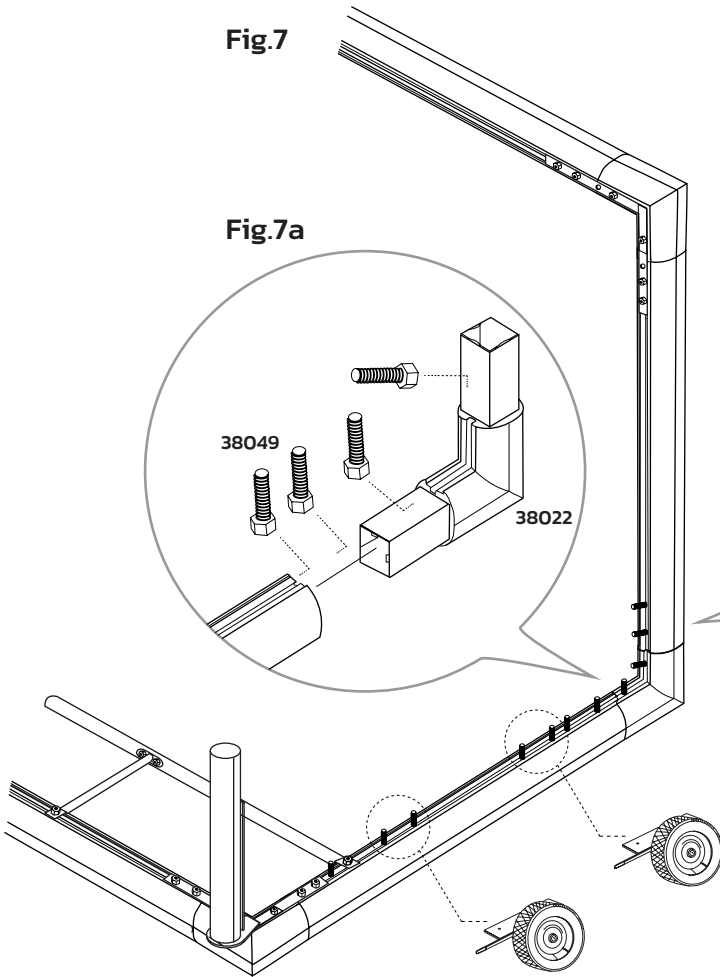
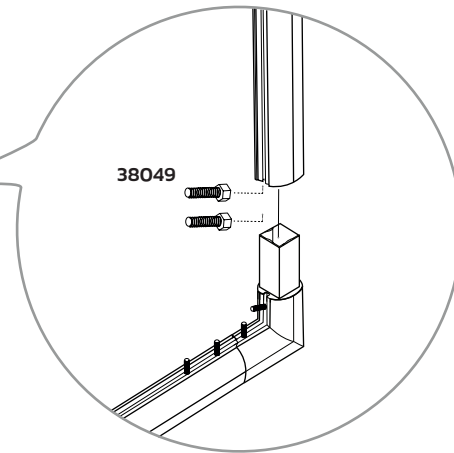


Fig.7b



ATTENTION, WHEELS - PLEASE NOTE!

If wheels have been purchased as an add-on 4 fixing bolts will need to be slid into the sidebar at this point.

see add-ons for instructions on how to attach

STEP 8 - Fixing uprights to base (Fig. 8)

Locate the L bracket (38038) over the pre-positioned bolts.

Place M10 washers (38088) over bolts and secure in place with M10 nuts (38077).

Locate the upright support (38044) over bolts.

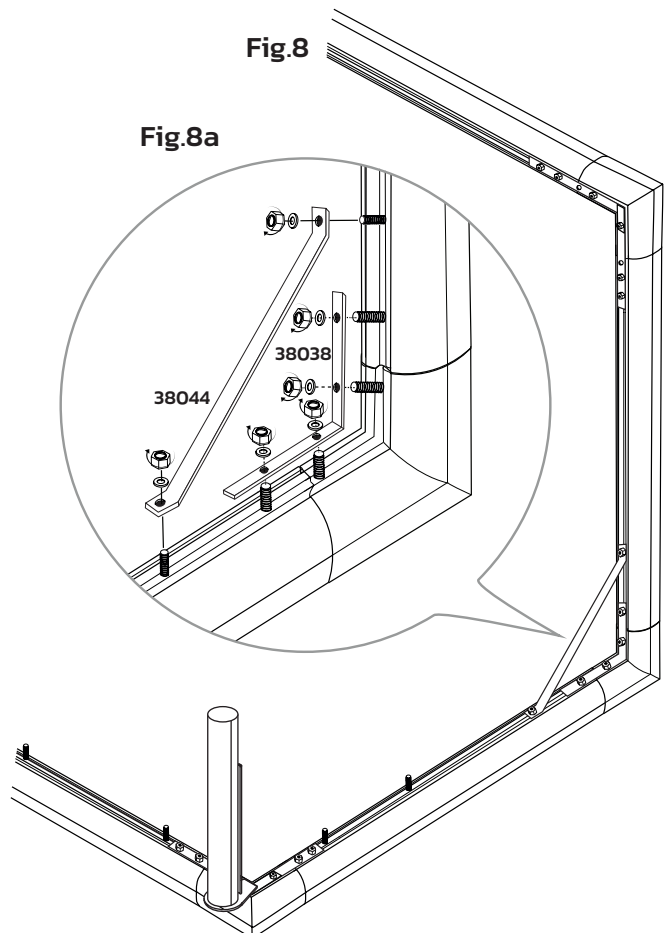
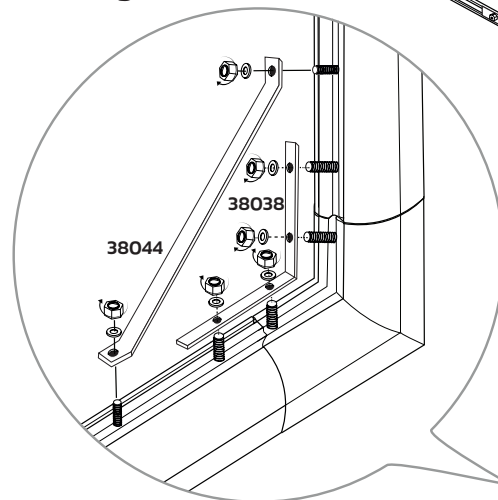
Place M10 washers (38088) over bolts and secure with M10 nuts (38077)

Repeat step 8 to secure other side.

ATTENTION - ensure all joints are butted up to each other before tightening.

Fig.8

Fig.8a



Step 9 – Fitting and securing back stanchion to base (fig.9, fig.9a, fig.9b & fig.9c)

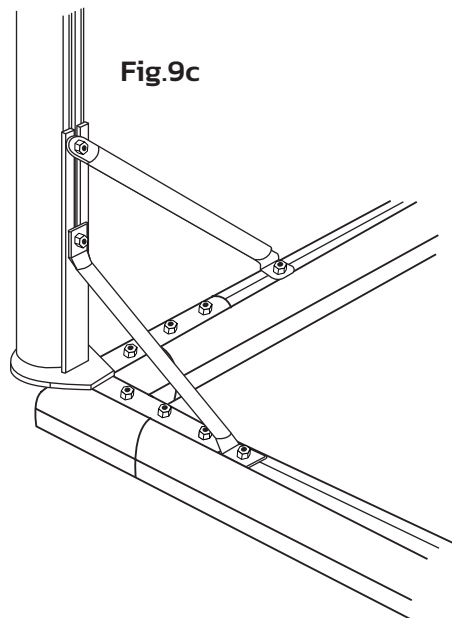
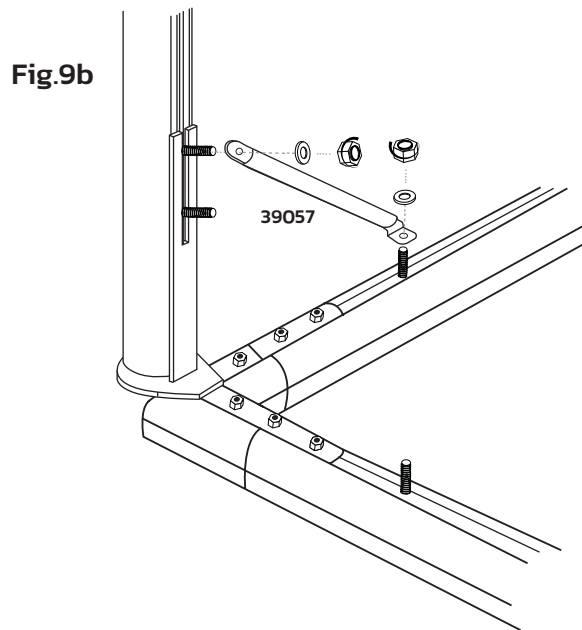
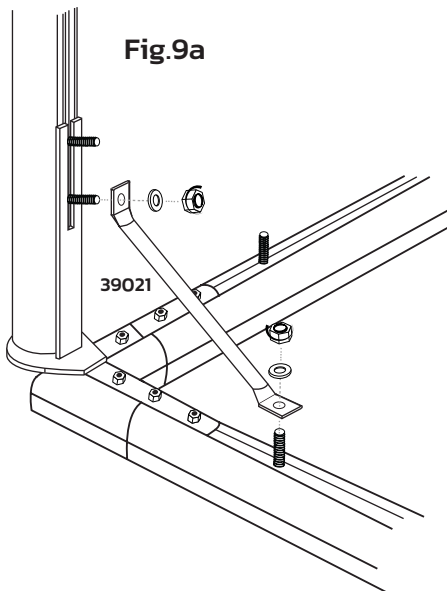
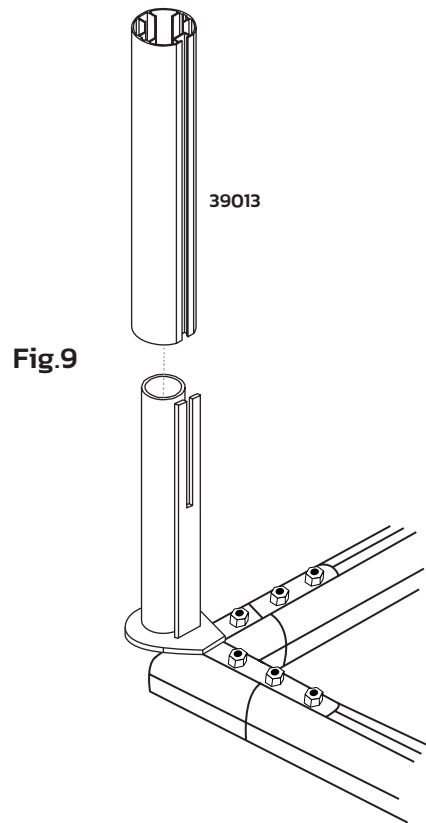
Slide back stanchion (39013) onto stanchion socket (39017)
see diagram (fig.9.)

Slide 2x M10x25 bolts (38055) down back stanchion to locate
in the slots of the stanchion support.

Locate upright support (39021) on pre-positioned bolts and place
M10 washers (38088) over bolts and secure with M10 nuts (38077)
see diagram (Fig.9a)

Locate stanchion brace (39057) on pre-positioned bolts and place
M10 washers (38088) over bolts and secure with M10 nuts (38077)
see diagram (fig.9b)

Repeat step 9 for the other side.



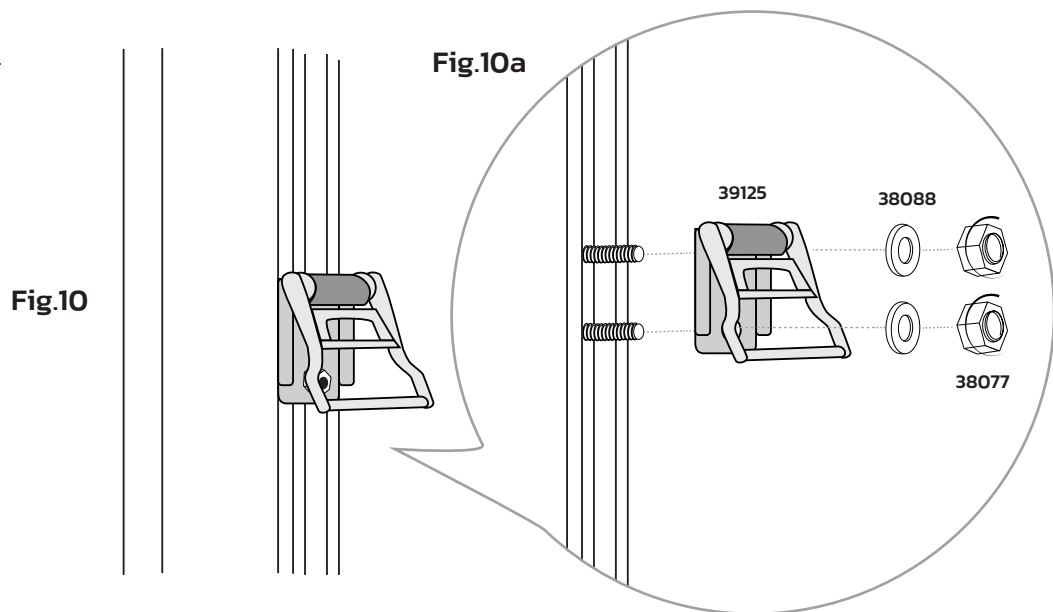
Step 10 – Fitting and securing ratchet (fig.10 & fig.10a)

Slide 2x M10x20 bolts (38049) into back stanchion.

Locate ratchet (39125) over the 2 bolts.

Place M10 washers (38088) over bolts and secure in place with M10 nuts (38077) approximately 120cm from the top of the stanchion.

Repeat step 10 for the other side.



Step 11 – Fitting and securing stanchion support (fig.11, fig.11b, fig.11c & fig.11d)

Slide 1x M10x20 bolt (38049) down the back stanchion.

Locate the stanchion support (39077) over the remaining M10 bolts in the top corner of the goal and the M10 bolt in the back stanchion with the strap relief facing outwards see diagram (Fig.11a & 11c.)

Place M10 washers (38088) over bolts and secure with M10 nuts (38077).

Repeat step 11 for the other side.

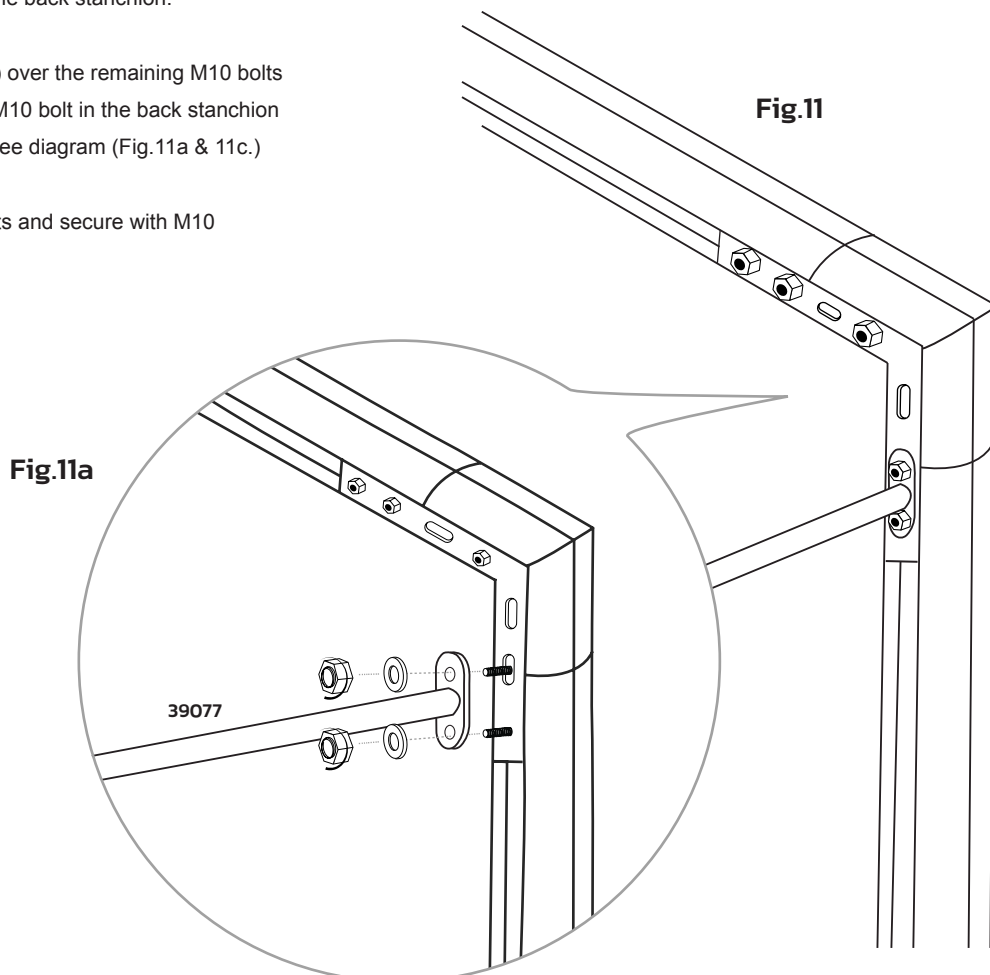


Fig.11c

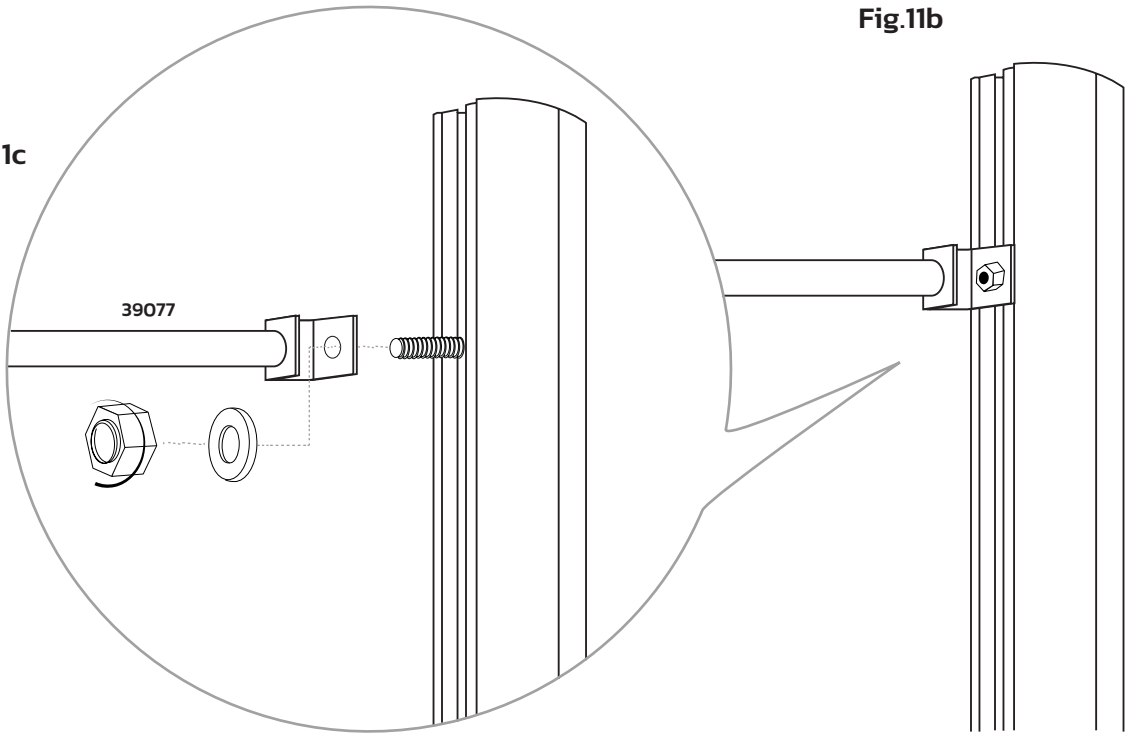


Fig.11b

Step 12 – Fitting and securing stanchion D-ring (fig.12 & fig.12a)

Slide 2x M10x20 bolts (38049) into the back stanchion.

Locate the stanchion D-ring (39145) over the M10 bolts at the top of the stanchion see diagram (fig.12)

Add the cap (39149) to the top of the back stanchion.

Place M10 washers (38088) over the bolts and secure with M10 nuts (38077) see diagram (fig.12a)

Fig.12a

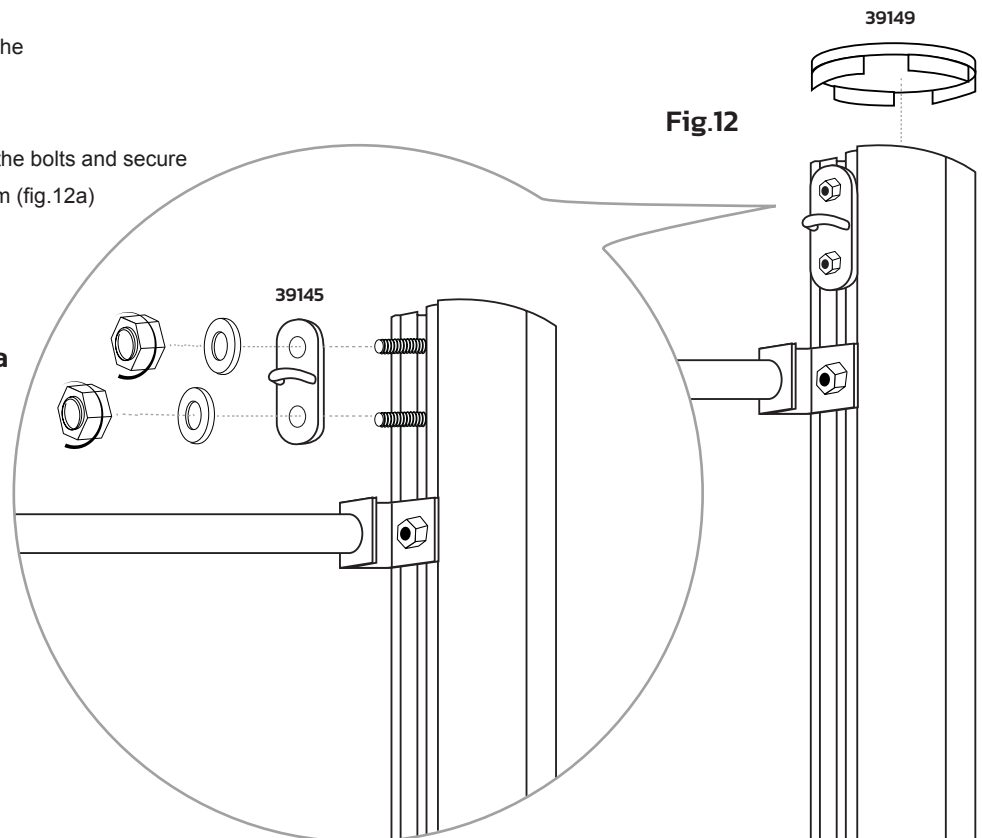


Fig.12

Step 13 - Assemble and fit net support (fig.13, fig.13a & 13b)

Slide 1 net support (39117) on to 1 end of the net support connector (39118) place 1 x M8 washer (38094) over 1x M8x45 bolt (38064) locate the bolt through the pre-drilled holes and secure with 1x M8 washer (38094) and nut (38082).

Repeat for the other end.

Place 1x M8 washer (38094) over 6x M8x45 bolts (38064) and locate through pre-drilled holes in the net support.

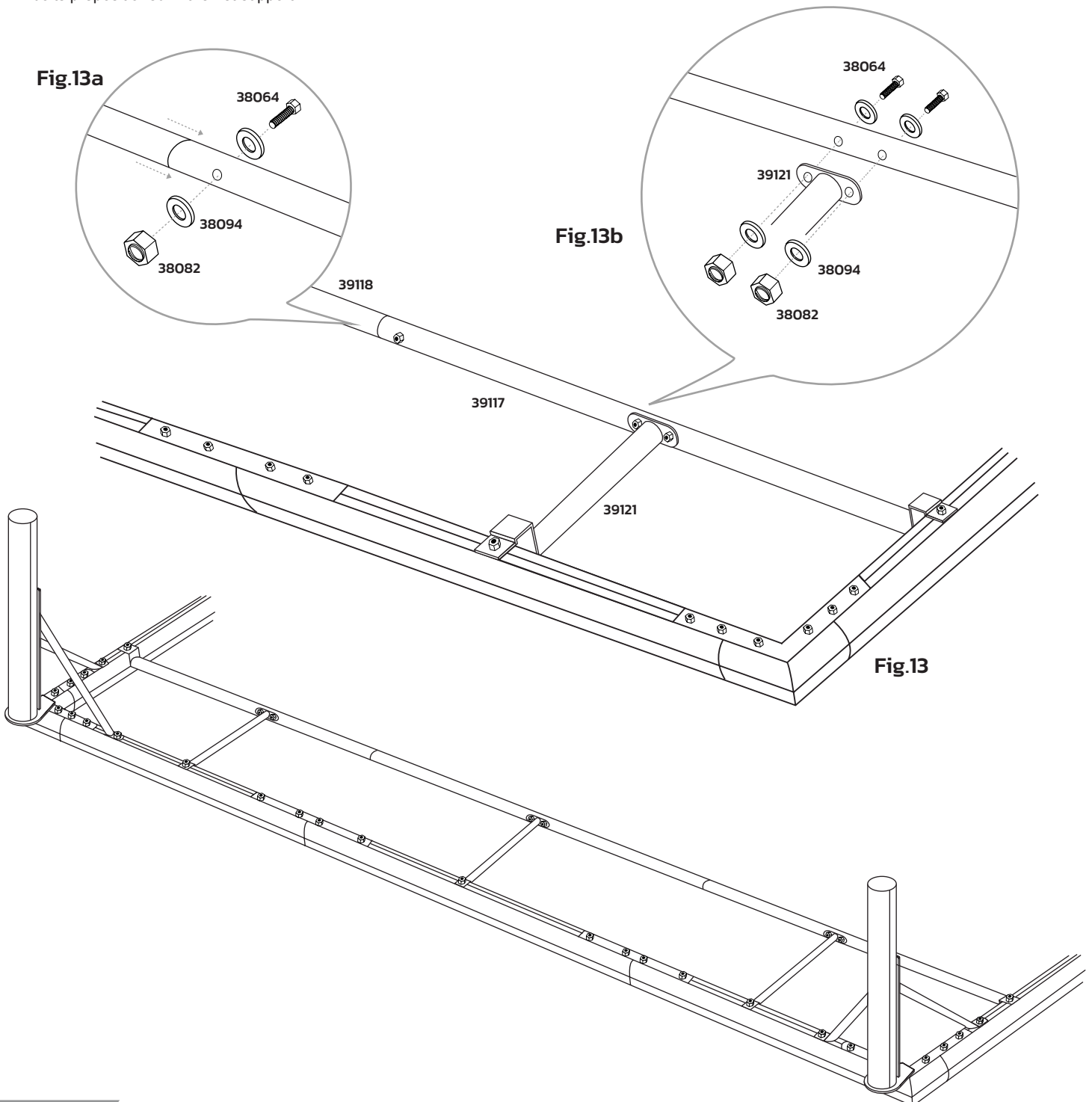
Take 1 net support bracket (39121) and locate over M8x45 bolts prepositioned in the net support.

Secure using 1x M8 washer (38094) and 1x M8 Nut (38083) per bolt.

Repeat this for the other 2 net support brackets.

Locate the assembled net support over the pre-positioned bolts on the backbar and sidebars.

Secure with 1x M10 washer (38088) and 1x M10 nut (38077) per bolt.



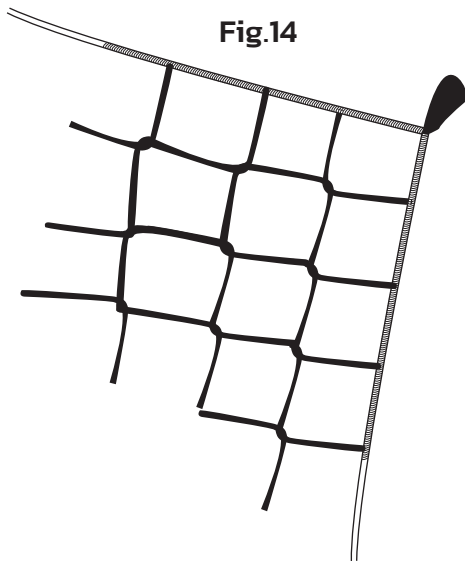


Fig.14

Step 14 – Net. (Fig.14, fig.14a, & fig.14b)

Place the net over the frame, noting that the red tabs denote the top corners of the net as per (fig.14.)

Attach the net using push and twist clips (38174) as per fig.14a.

Use push and twist brackets (39137) for the top corners of the goal as per fig.14b.

Fix net in place over brackets using twist brackets (39137) as per fig.14c.

Fig.14a

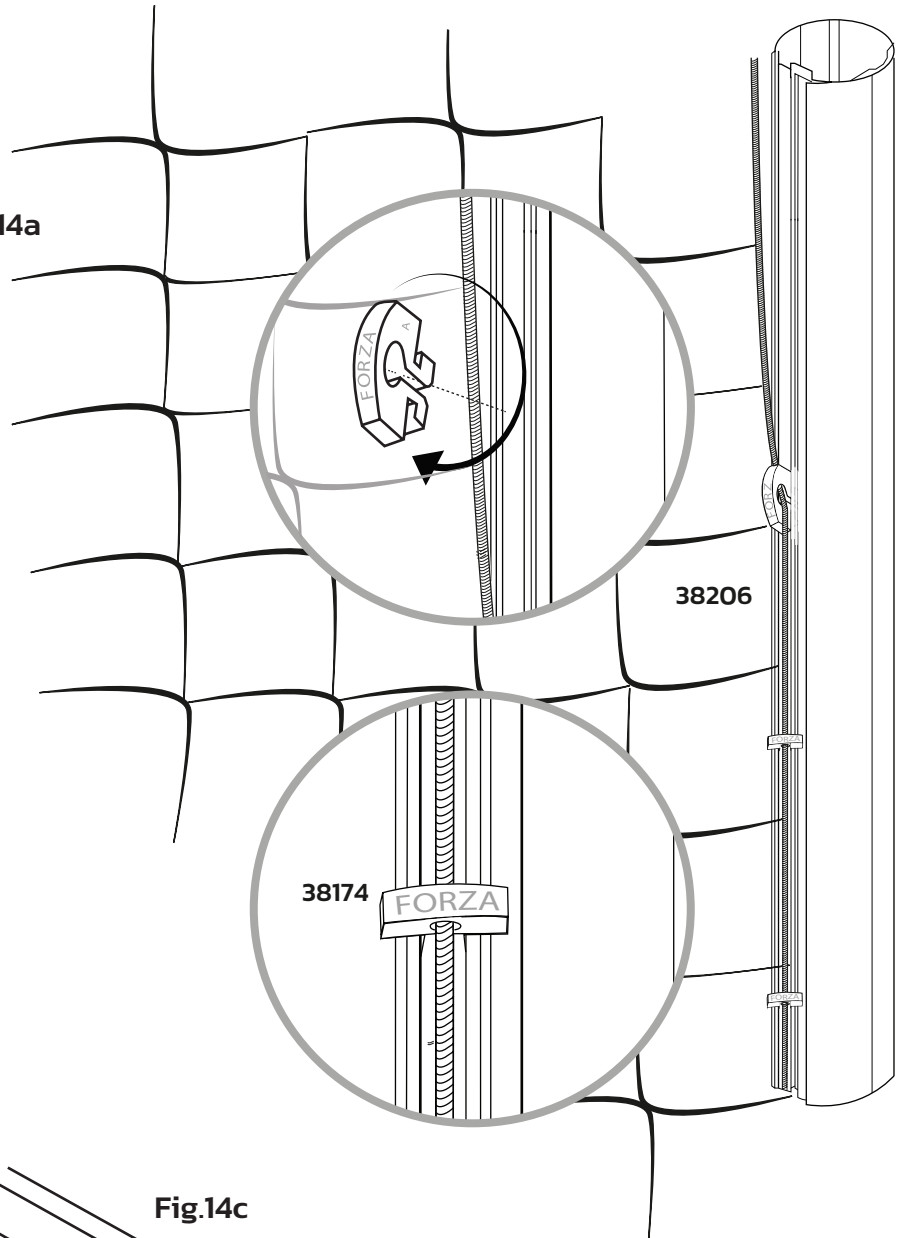


Fig.14b

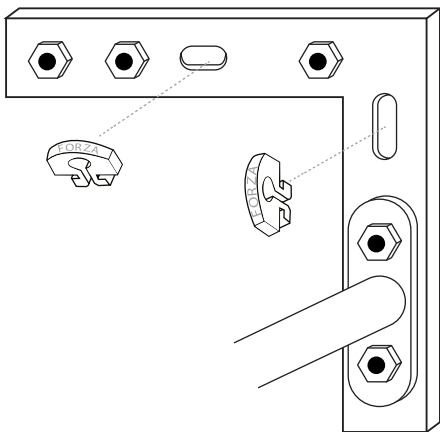
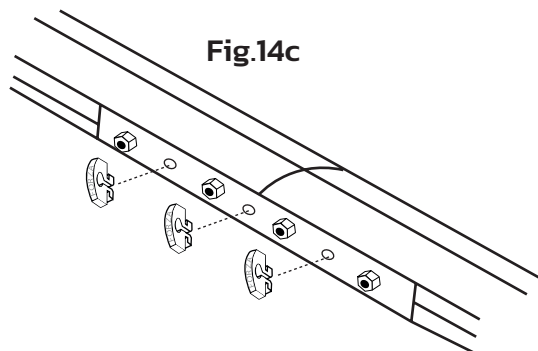


Fig.14c



Step 15 – Tensioning net. (Fig.15, fig.15a & fig.15b)

Take ratchet strap (39129) and clip to the back corner of the net,
Thread the end through the stanchion D-ring and the ratchet.

Take ratchet strap (39133) and clip it to the net at the same height
as the corner, in line with the centre of the crossbar straight bracket.

Thread the end through the stanchion D-ring and the ratchet.

Repeat this for the other side.

Use ratchet to tension net to the required position. When the
net is tight, attach the net to the net support using cable ties.

***ATTENTION –
DO NOT OVER TIGHTEN RATCHET OR NET.**

Fig.15a

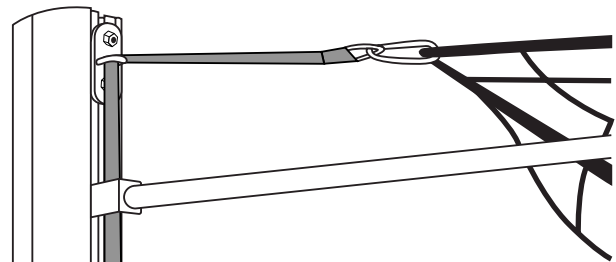


Fig.15b

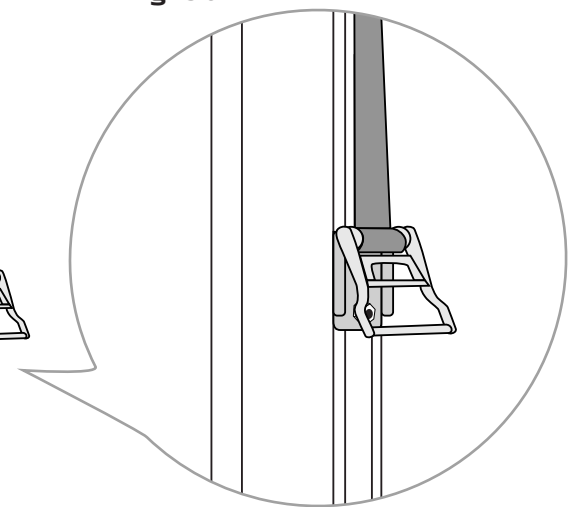
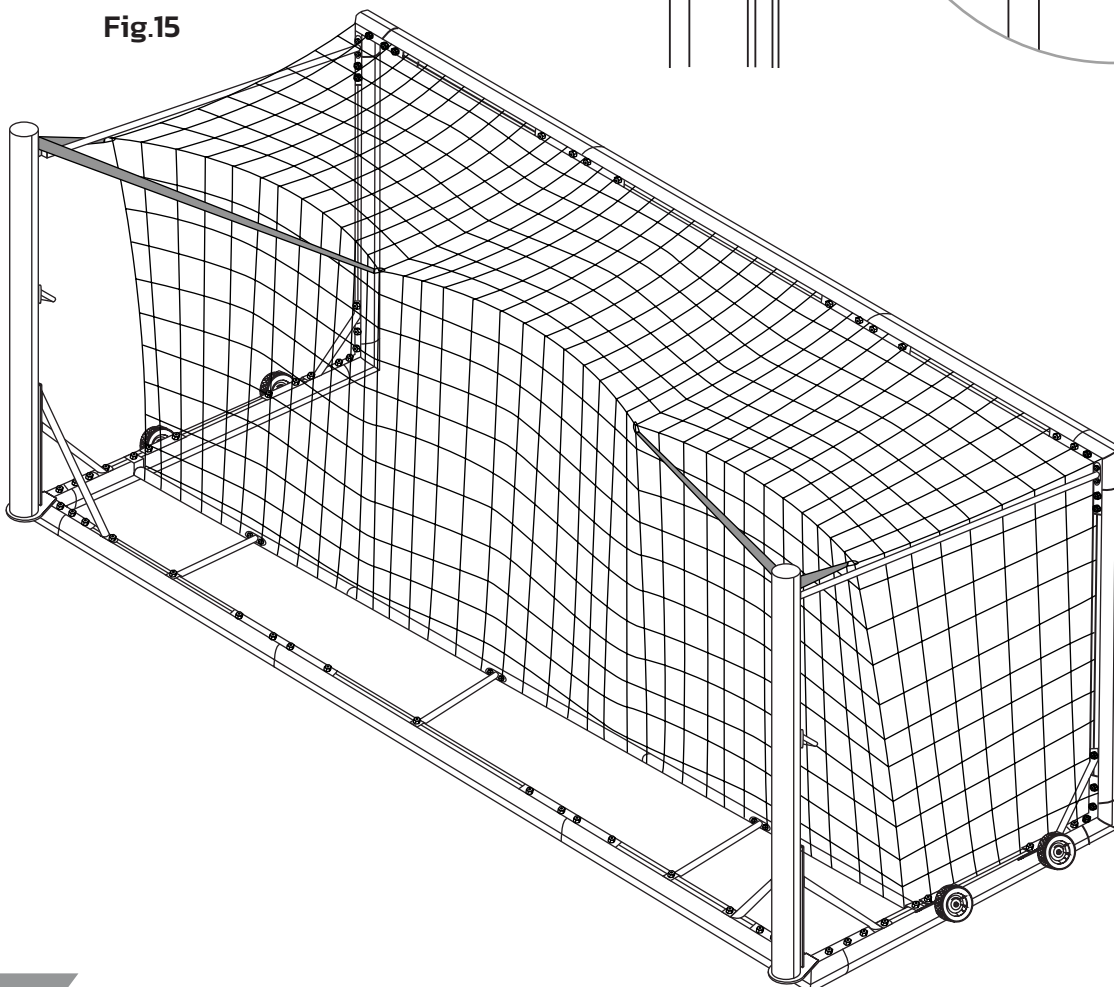


Fig.15



ADD-ONS

WHEELS

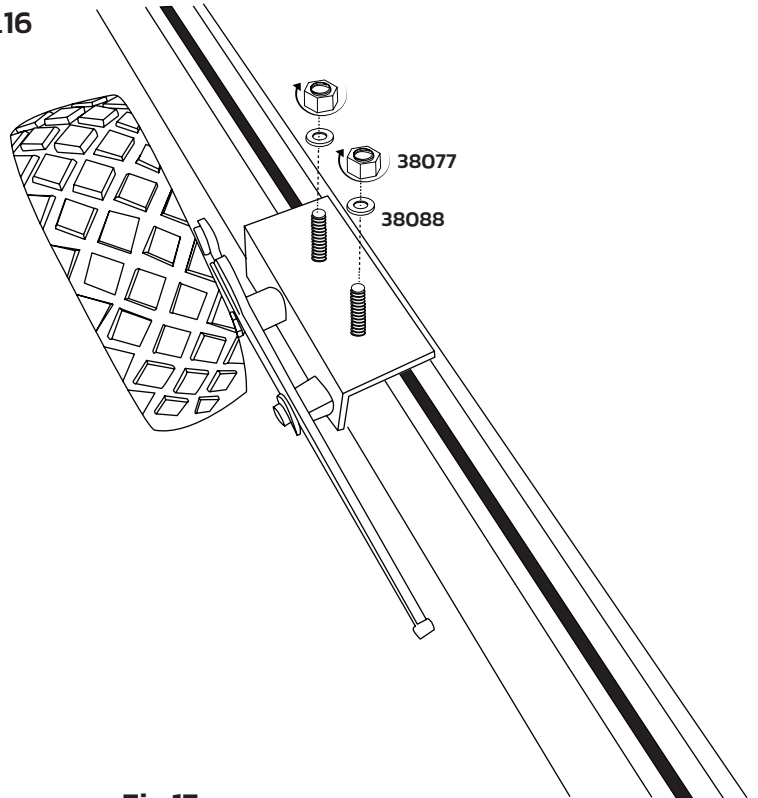
Ensure M10x25 Bolts (38055) have been slotted into place whilst constructing the goal.

Place the Wheel Bracket over the prepositioned bolts.

Fix in place with 2x M10 Washer (38088) and 2x M10 Nuts (38077).

Ensure Wheels are fixed on the correct side of the goal. When the wheels are not in use the handles must be facing away from the pitch.

Fig.16



WEIGHTS

Fill Weights with sand or water to the desired weight.

Slide weights into the Sidebar or Backbar as per diagram in Fig. 17a.

Fig.17

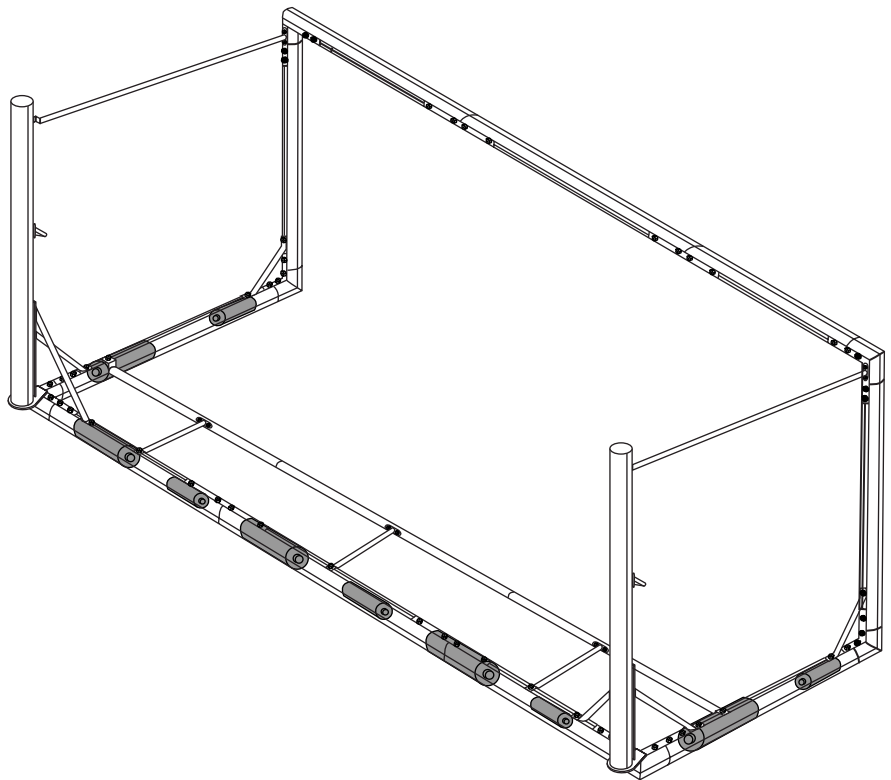


Fig.17a

